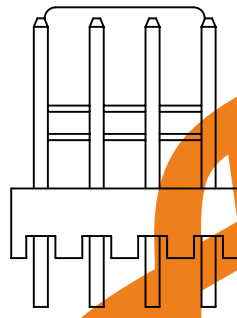
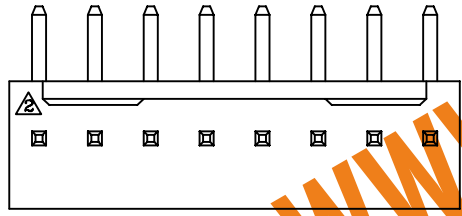
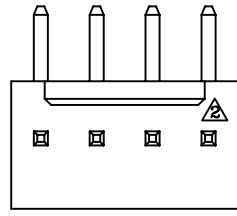
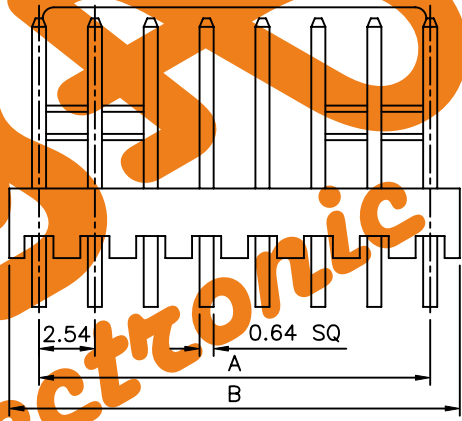


Recommended P.C.B. Layout

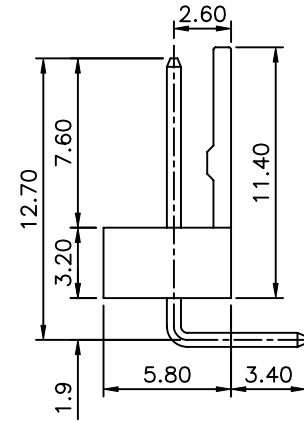
△△ SPECIFICATION
 Current Rating:3A AC/DC
 Voltage Rating:250V AC Max.
 Withstanding Voltage:1000V AC/Minute
 Operation Temperature:-25°C~+85°C
 Contact Resistance:20 Milliohms Max.
 Insulation Resistance:1000 Megaohms Min.
 Contact:Brass,Tin Plated
 Insulator:PA66(UL94V-2)
 RoHS Compliant



2~5 Circuits



△△6~20 Circuits



Poles	A	B
2	2.54	5.12
3	5.08	7.66
4	7.62	10.20
5	10.16	12.74
6	12.70	15.30
7	15.24	17.94
8	17.78	20.48
9	20.32	23.02
10	22.86	25.58
11	25.40	28.12
12	27.94	30.68
13	30.48	33.10
14	33.02	35.80
15	35.56	38.34
16	38.10	40.94
17	40.64	43.30
18	43.18	45.90
19	45.72	48.56
20	48.26	50.80

AsA Electronic
 WWW.AsA-Elec.com
 AsA Electronic Co.
 Tel : (+98) 21 66 73 56 82 Mob : (+98) 912 03 161 02

DRAWING No.		APPROVED BY		UNLESS OTHERWISE SPECIFIED TOLERANCES ARE △ .X ±0.35 .XX ±0.25 ANG.
20065		MEI		
		CHECKED BY	HZF	
		DRAWING BY	WZL	
SCALE	NONE	REV.	A2	UNIT mm

NO.	REV.	REVISIONS	CHK	DATE
△A2		Modify Data	HZF	06/18/2010
△A1		Add Spec.	BECKY	2004/03/05
△A0		NEW RELEASE		